

Need to require schematic  
 2 = 7 diff (connected when no power)  
 4 = 5 sh (disconnected when no power)  
 1 = 8 coil  
 Earlier, assumed relays:  
 3 = 6 pole  
 2 = 7 throw  
 4 = 5 throw  
 1 = 8 coil  
 RTS held at -14V by RL2?

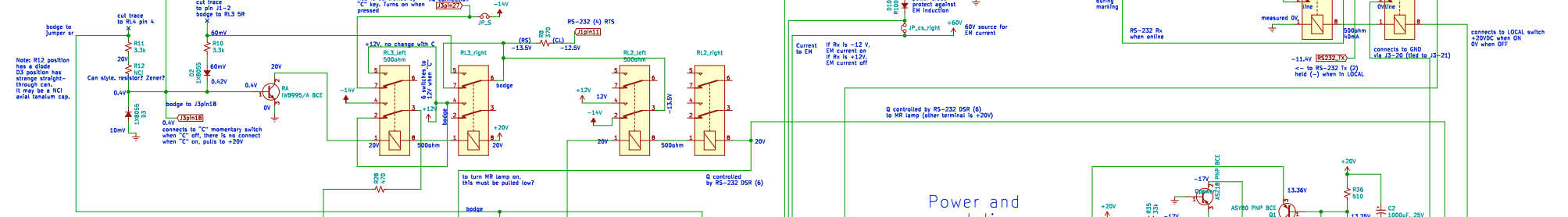
\*\*\*Does this really connect here?

### C switch

### DSR

### EM switching

### Tx and Rx LINE and LOCAL



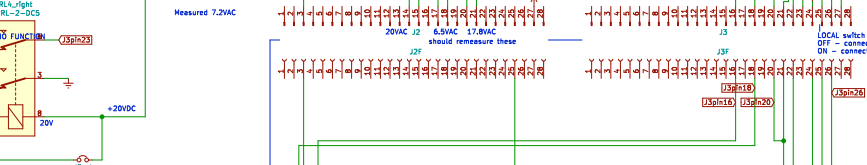
### RS-232 signals

This goes to RS-232 pin 20 (DTR)  
 When 'C' is pressed, pin 20 green (negative - deasserted)  
 When 'C' is off, pin 20 red (positive - asserted)

RS-232 signals  
 +12V to assert (L)  
 -12V to deassert (O)  
 Tx and Rx  
 -12V to mark (L)  
 +12V to space (O)  
 Each RS-232 signal has a voltage divider and diode

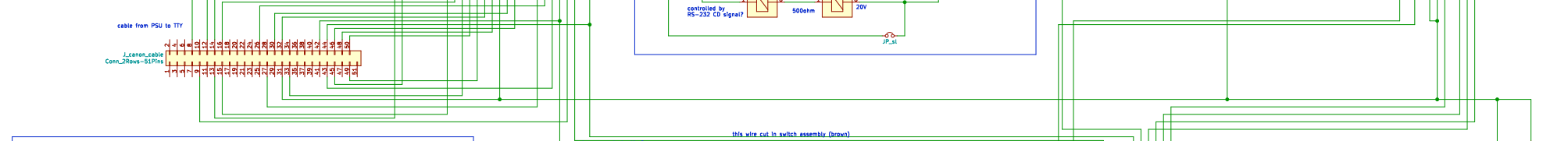
### Power and regulation

### CD lamp

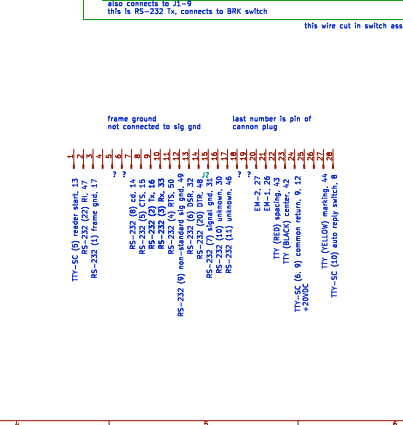
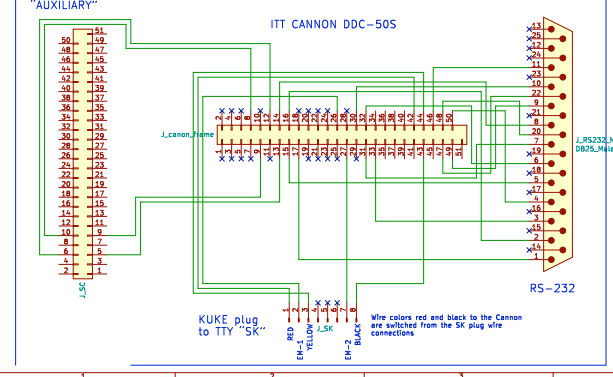


### CARD

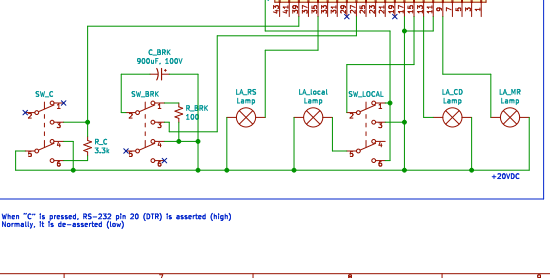
### BACKPLANE



### FRAME



### switches and lights



### Olivetti TE-318 telescrivente Telegraphic Power Supply Unit